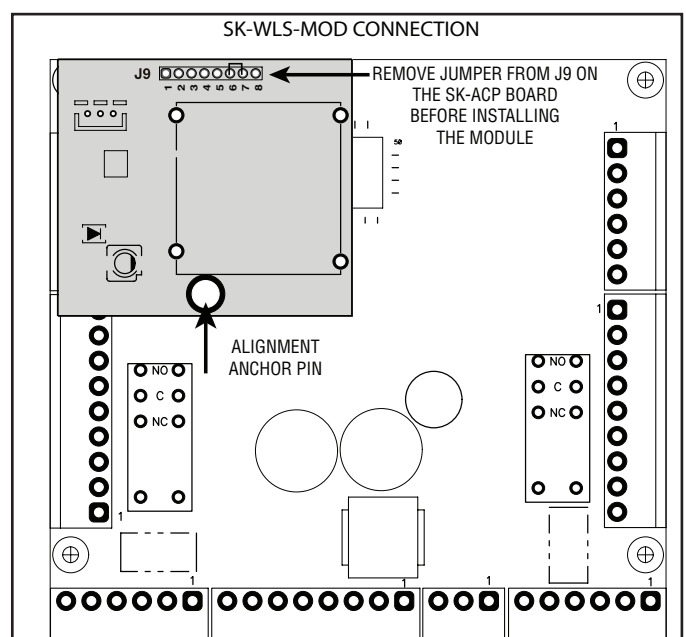
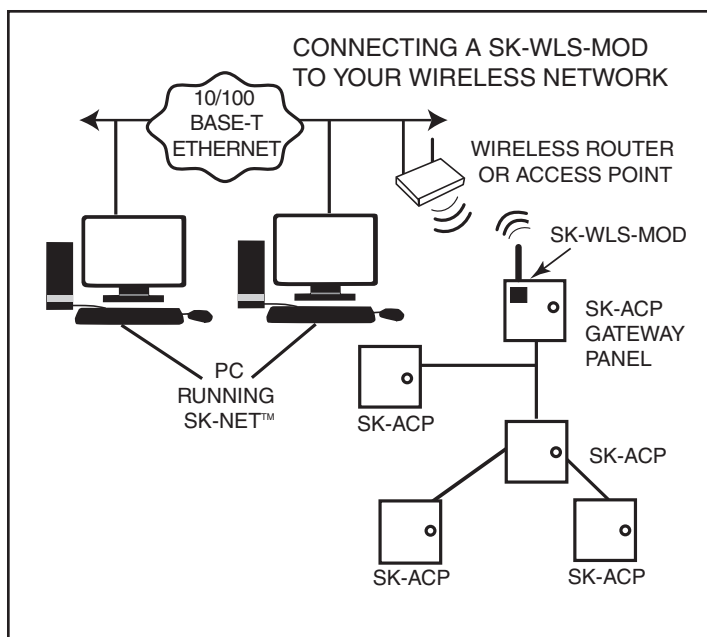


# CONNECTING AN SK-ACP TO A LOCAL AREA NETWORK USING THE SK-WLS-MOD

The SK-WLS-MOD is an embedded wireless device server that provides a network-enabling solution based on the IEEE 802.11 b/g wireless standard-wireless security with IEEE 802.11i-PSK, WPQ-PSK, TKIP.

To install the unit, complete the following steps in order with the Power Turned Off.

1. Remove the SK-ACP board from the enclosure to prevent short circuiting the board.
2. Drill a .25 inch hole on the top of the box containing the SK-ACP (right above the module location) to mount the antenna. Clear all metal shavings from the enclosure and re-install the SK-ACP board.
3. Remove the 2 pin jumper from the J9 connector (pins 6 & 7) on the SK-ACP.
4. Plug the SK-WLS-MOD into J9 on the SK-ACP board. **The SK-ACP must be firmware version 2.43, Rev H or newer ONLY!**



## Do Not Turn On the Power to the SK-ACP at this time

**NOTE:** When using the SK-WLS-MOD, the required input voltage to the SK-ACP is 12-30vdc @ 1 amp or 16 to 24vac @ 40VA (24vdc @ 1 amp is recommended). (See SK-ACP manual for power connections.)

## Required Information

Before configuring the SK-WLS-MOD have the following available:

Hardware (MAC) address: This is on the product label in the format: 00-20-4A - \_\_\_\_\_ - \_\_\_\_\_ - \_\_\_\_\_

## IP address:

The SK-WLS-MOD must have a unique IP address on your network. This address references the specific unit. By default, the unit is DHCP-enabled and automatically assigned an IP address on DHCP-enabled networks. If you are assigning a static IP address, the system administrator generally provides the IP address, subnet mask, gateway, and the SSID.

**Note:** The factory default IP address is 0.0.0.0 to enable DHCP, BOOTP and AutoIP. When the unit boots, it sends a DHCP broadcast to try and get an IP address. If it receives no reply from a DHCP server, the SK-WLS-MOD tries BOOTP. If the SK-WLS-MOD does not receive a response from BOOTP, it reverts to an AutoIP address.

**IP Address:** \_\_\_\_\_  
**Subnet Mask:** \_\_\_\_\_  
**Gateway:** \_\_\_\_\_  
**SSID:** \_\_\_\_\_

(Continued)

## Setup Procedure:

1. Without applying power to the SK-ACP, connect the SK-WLS-CBL cable to J1 located on the SK-WLS-MOD module. Connect the other end of the cable to an RS-232 (serial) port on a PC.
2. Launch 'HyperTerminal' on your computer. Set the baud rate to 9600, 8 data bits, 1 stop bit, no parity, and flow control to none, and then connect. (HyperTerminal is available on Windows® XP. It is not provided with Vista or 7, but can be found for both on the internet and can be installed to your computer.)
3. Press and hold the 'x' key (lower case) on the PC keyboard while you connect power to the SK-ACP control board. When prompted, press the Enter key on the PC keyboard to gain access to the internal menu of the SK-WLS-MOD.

**NOTE: You must press Enter within 10 seconds after the prompt is displayed or the SK-WLS-MOD will time-out. If this happens, remove power and repeat step 3.**

4. Select 0 (Server) from the menu:  
Network mode: enter 1 = wireless only  
Enter IP address (provided by the IT department)  
**(Setup to match your network)**

5. 1 (Channel 1) - no changes required

6. Select 2 (Channel 2) from the menu:  
Set baud rate to 38400  
IF mode to 4C  
Flow (default)  
Port number 10002 (default)  
**(Default the remaining choices)**

7. 3 (Email) - no changes required

8. Select 4 (WLAN) from the menu:  
Topology 0 (infrastructure)  
Network name SSID (wireless name)  
**(Setup to match your network)**

9. 5 (Expert) - no changes required

10. 6 (Security) - no changes required

11. Select 7 for Default (to start over)

12. Select 8 - Exit without save

13. Select 9 - Save and exit

## WLS-MOD Internal Menu

```
Change Setup:
0 Server
1 Channel 1
2 Channel 2
3 E-mail
4 WLAN
5 Expert
6 Security
7 Defaults
8 Exit without save
9 Save and exit
Your choice ?
```

**Secura Key**  
A Division of SOUNDCRAFT Inc.

www.SecuraKeyStore.com  
(800) 878-7829  
sales@securakeystore.com