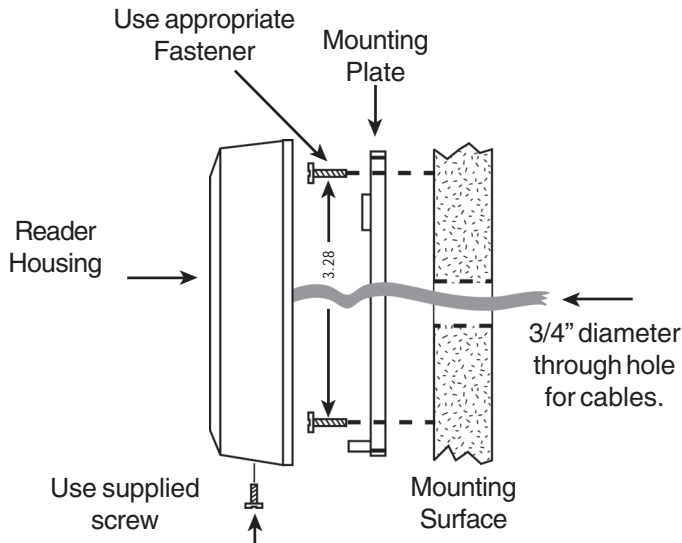


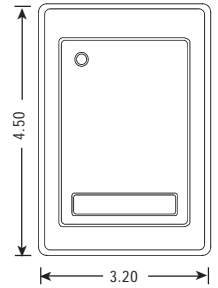
# RADIO KEY® XRM / XRS Installation Instructions

## SWITCHPLATE INSTALLATION DIAGRAM

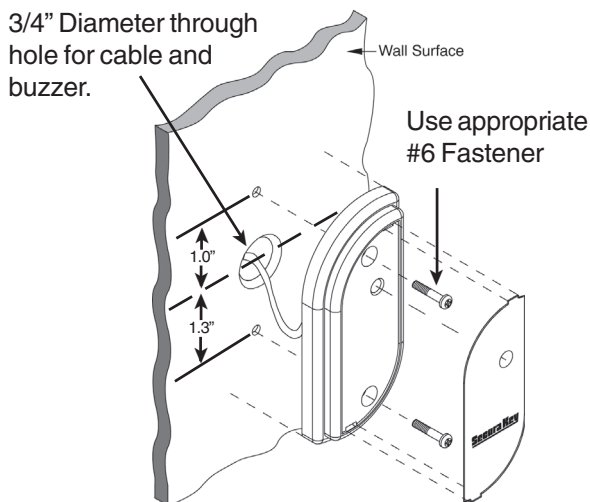


## INSTALLATION STEPS FOR RK-XRS

1. Drill holes as needed per installation diagram shown to the left.
2. Feed cable through 3/4" hole.
3. Attach the mounting plate to the mounting surface with the appropriate fasteners.
4. Attach the housing to the mounting plate by inserting the two tabs inside the top of the housing into the two slots at the top of the mounting plate.
5. Secure by installing supplied screws into the hole at the bottom of the reader.
6. Connect cable per wiring diagram shown below.

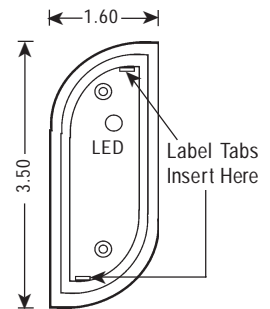


## MULLION INSTALLATION DIAGRAM



## INSTALLATION STEPS FOR RK-XRM

1. Drill holes as needed per installation diagram shown to the left.
2. Feed cable through 3/4" hole.
3. Attach reader to any flat surface with two #6 screws.
4. Snap label insert into front of reader to cover screws.



## POWER REQUIREMENTS

5-14 VDC, 120 mA maximum

## INPUTS & OUTPUTS

LED Bicolor (Red or Green)  
 Buzzer Short chirps upon presentation of any Secura Key transponder.  
 Maximum Network Distance RS-485 - Single Twisted Pair, Plus Ground and Shield, 18-24 AWG. Total system cable length: 4,000 ft.  
 Cable: CAT 5

## ENVIRONMENT

### Access Control Unit and Key Tag

Ambient Temperature -40° to +70°C (-40° to +158°F)  
 Humidity 0 to 95% (non-condensing)

## WIRING CONNECTIONS

WIRE COLOR	DESCRIPTION
BROWN	GROUND
BROWN-WHITE	VCC
ORANGE	DATA-B
ORANGE-WHITE	DATA-A
GREEN	INPUT 2
GREEN-WHITE	INPUT 1
BLUE	RELAY
BLUE-WHITE	RELAY

\*Connect to GROUND to activate.

**Secura Key**  
 A Division of SOUNDCRAFT Inc.

# INSTRUCTION TO THE USER

FCC ID: NNHRK100M

This equipment has been tested and found to comply with the limits for a class B digital device, pursuant to part 15 of the FCC Rules. These limits are designed to provide reasonable protection against harmful interference in a residential installation. This equipment generates, uses and can radiate radio frequency energy and if not installed and used in accordance with the instructions, may cause harmful interference to radio communications. However, there is no guarantee that interference will not occur in a particular installation. If this equipment does cause harmful interference to radio or television reception, which can be determined by turning the equipment off and on, the user is encouraged to try to correct the interference by one or more of the following measures:

- Reorient or relocate the receiving antenna.
- Increase the separation between the equipment and receiver.
- Connect the equipment into an outlet of a circuit different from that to which the receiver is connected.
- Consult the dealer or an experienced radio/TV technician for help.

This equipment has been certified to comply with the limits for a class B computing device, pursuant to FCC Rules. In order to maintain compliance with FCC regulations, shielded cables must be used with this equipment. Operation with non-approved equipment or unshielded cables is likely to result in interference to radio and TV reception. The user is cautioned that changes and modifications made to the equipment without the approval of the manufacturer could void the user's authority to operate this equipment.

## European Community Approvals

### DECLARATION OF CONFORMITY

We, Secura Key, A Division of Soundcraft Inc,  
of 20447 Nordhoff Street, Chatsworth, CA 91311, USA

declare under our sole responsibility that the product

**Radio Key XRM (RK-XRM)**

to which this declaration relates, is in conformity with the following standards and/or other normative documents.

**EN 300 330, May 1999**  
**ETS 300 683, June 1997**  
**EN 60950: 1992 Incl Amdt 1-4, 11**

We hereby declare that all essential radio test suites have been carried out and that the above named product is in conformity to all the essential requirements of Directive 1999/5/EC.

The conformity assessment procedure referred to in Article 10(5) and detailed in Annex IV of Directive 1999/5/EC has been followed with the involvement of the following Notified Body(ies):

**BABT, Claremont House, 34 Molesey Road, Walton-on-Thames, KT12 4RQ**

(name and address of Notified Body)

Identification mark: **0168** The equipment will also carry the  
(Notified Body number) Class 2 equipment identifier 

The technical documentation relevant to the above equipment can be made available for inspection on application to:

**Vanhalme, Lieven Baiwemsstraat 13, Industriepark Waggelwater,  
8200 Brugge, Belgium**

(name and address of EU representative)

Paul Chandler  
(name)

Product Marketing Manager  
(title)

Paul Chandler  
(signature of authorised person)

11/30/00  
(date)

### User Information

The following statement will be provided with the equipment as required by Article 6.3 of the R&TTE Directive, 1999/5/EC.

The Secura Key Radio Key RK-XRM is in conformity with all essential requirements of the R&TTE Directive (1999/5/EC).

This product is marked with **CE 168** which signifies conformity with Class II product requirements specified in the R&TTE Directive.

The following table indicates the areas of intended use of the equipment. Individual licences are not required. For countries not included in this list, please consult the responsible Spectrum Management Agency.

Country of intended use					
EU	Yes	No	Non-EU	Yes	No
Austria	<input checked="" type="checkbox"/>	<input type="checkbox"/>	Iceland	<input type="checkbox"/>	<input checked="" type="checkbox"/>
Belgium	<input checked="" type="checkbox"/>	<input type="checkbox"/>	Liechtenstein	<input type="checkbox"/>	<input checked="" type="checkbox"/>
Denmark	<input checked="" type="checkbox"/>	<input type="checkbox"/>	Norway	<input type="checkbox"/>	<input checked="" type="checkbox"/>
Finland	<input type="checkbox"/>	<input checked="" type="checkbox"/>	Switzerland	<input checked="" type="checkbox"/>	<input type="checkbox"/>
France	<input checked="" type="checkbox"/>	<input type="checkbox"/>			
Germany	<input checked="" type="checkbox"/>	<input type="checkbox"/>			
Greece	<input checked="" type="checkbox"/>	<input type="checkbox"/>			
Ireland	<input checked="" type="checkbox"/>	<input type="checkbox"/>			
Italy	<input checked="" type="checkbox"/>	<input type="checkbox"/>			
Luxembourg	<input checked="" type="checkbox"/>	<input checked="" type="checkbox"/>			
The Netherlands	<input checked="" type="checkbox"/>	<input type="checkbox"/>			
Portugal	<input checked="" type="checkbox"/>	<input checked="" type="checkbox"/>			
Spain	<input checked="" type="checkbox"/>	<input type="checkbox"/>			
Sweden	<input checked="" type="checkbox"/>	<input type="checkbox"/>			
United Kingdom	<input checked="" type="checkbox"/>	<input type="checkbox"/>			

Paul Chandler  
Name: Paul Chandler  
Title: Product Marketing Mgr.

**Secura Key**  
A Division of SOUNDCRAFT Inc.

www.SecuraKeyStore.com  
(800) 878-7829  
sales@securakeystore.com