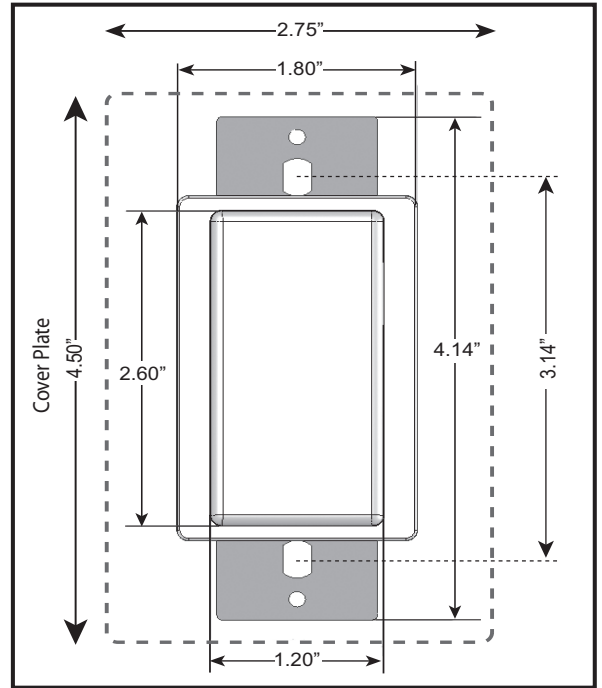
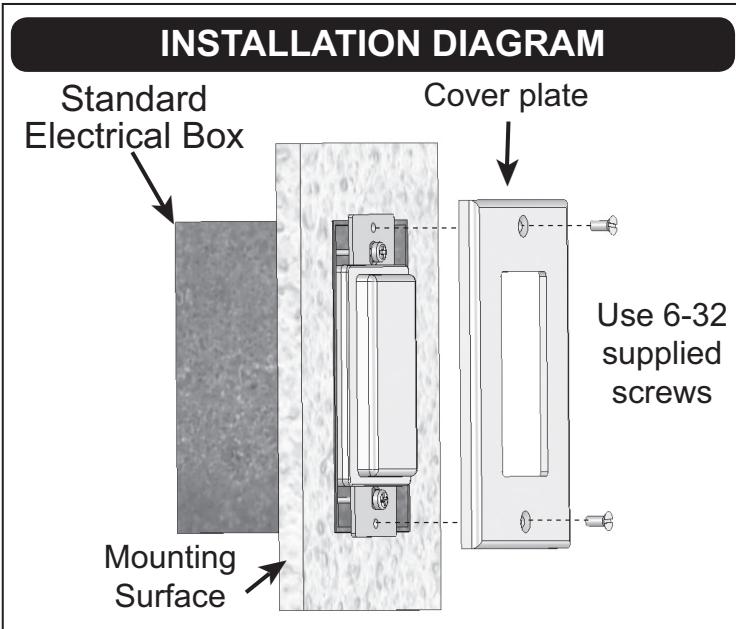


# e\*Tag® ET8-RO-W-D Installation Instructions

## Installation Steps for Decorator Reader

1. This reader is designed for installation using a standard, single-gang electrical box or trim ring.
2. Splice reader wires to cable that has been home run to the access control panel (see wiring color chart) and trim unused wire ends. (Violet, gray, yellow and blue wires are often not used.) Push splices into the box.
3. Attach the reader to the box mounting tabs with the 6-32 screws provided.
4. Install the cover plate with the screws that are provided in the package.



## SPECIFICATIONS:

### POWER REQUIREMENTS

5-14 VDC; Idle: 30 mA, When reading card: 65mA

### INPUTS & OUTPUTS

Wiegand Output Sink Current 100mA  
 Wiegand Output Source Current 5mA  
 LED Bi-color (Red or Green)  
 Buzzer & Hold Ground to Activate  
 Cable Distance 500 ft.  
 Cable Type 6-8 Conductor, 18-22 AWG

### ENVIRONMENT

Ambient Temperature -40° to +70°C (-40° to +158°F)  
 Humidity 0 to 95% (non-condensing)

### COMMUNICATIONS

Wiegand Industry Standard Protocol

"Changes or modifications not expressly approved by the party responsible for compliance could void the user's authority to operate the equipment".

Wire Color	ET8-RO-W-D
GREEN	Wiegand Data 0
WHITE	Wiegand Data 1
VIOLET	N/A
GRAY	N/A
ORANGE	Green LED
BROWN	Red LED
YELLOW	Buzzer
BLUE	Hold Line
RED	5-14VDC +
BLACK	DC Ground



RoHS



3059349



**Secura Key**  
A Division of SOUNDCRAFT Inc.

www.SecuraKeyStore.com

(800) 878-7829

sales@securakeystore.com

**FCC Warning:** This device complies with Part 15 of the Class B FCC Rules. Operation is subject to the following two conditions: (1) This device may not cause harmful interference. And (2) this device must accept any interference received, including interference that may cause undesired operation. This Class B digital apparatus meets all requirements of the Canadian Interference-Causing Equipment Regulations.