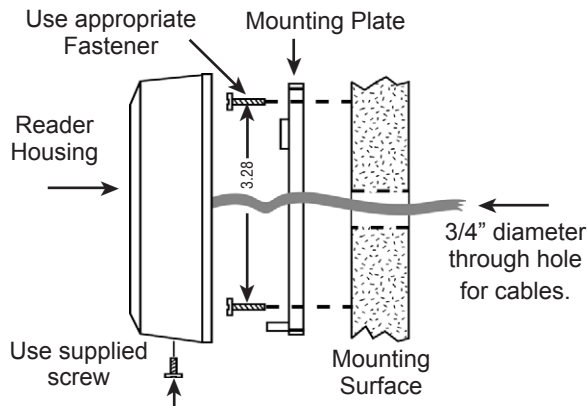


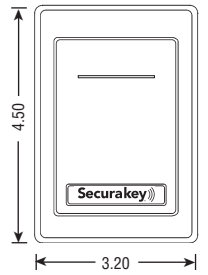
ET-SR-X-K / ET-SR-R-S / ET-SR-R-K Installation Instructions

SWITCHPLATE INSTALLATION DIAGRAM



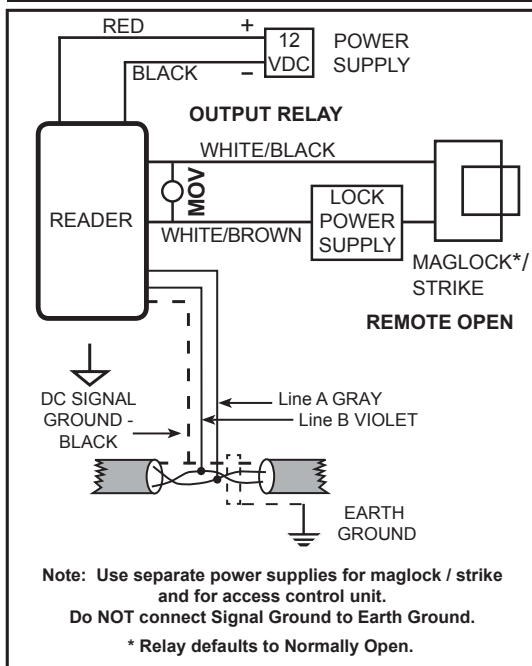
INSTALLATION STEPS

1. If mounting the unit outdoors, especially on a rough surface like masonry, we recommend that you seal the reader with silicone caulking.
2. Drill holes as needed per installation diagram shown to the left or install a single gang j-box.
3. Run field wiring to reader location and feed into j-box or through cable hole.
4. Attach the mounting plate to the mounting surface or j-box with the appropriate fasteners.
5. Splice the connector pigtail to field wiring. Insert the connector into the back of the reader.
6. Attach the housing to the mounting plate by inserting the two tabs inside the top of the housing into the two slots at the top of the mounting plate.
7. Secure by installing supplied screw into the hole at the bottom of the reader.



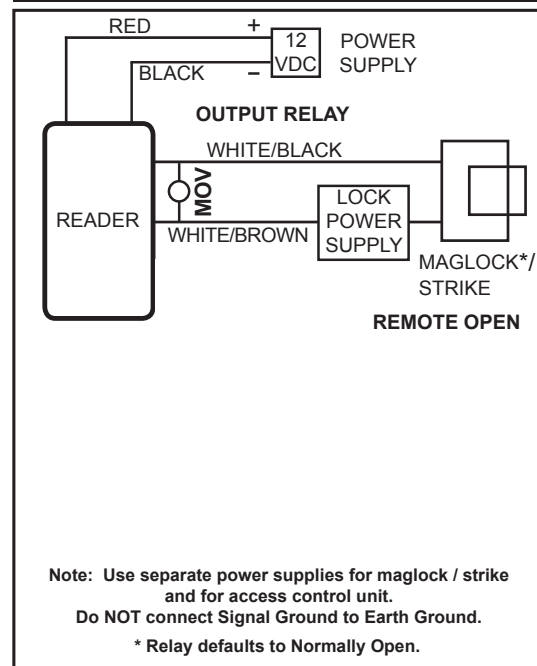
ET-SR-X-K

TYPICAL INSTALLATION

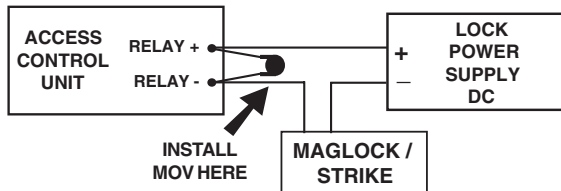


ET-SR-R-S / ET-SR-R-K

TYPICAL INSTALLATION



INSTALLATION OF METAL OXIDE VARISTOR



Install the enclosed 40-volt MOV (Metal Oxide Varistor) across the relay contacts in the access control unit, as shown. The Access Control Unit must have its own power supply.

Securakey

www.SecuraKeyStore.com
(800) 878-7829
sales@SecuraKeyStore.com

WIRING CONNECTIONS	
WIRE COLOR	RKDT-SR-M / SR-S
GREEN	Open Collector 1
WHITE	Open Collector 2
VIOLET	RS-485-B
GRAY	RS-485-A
ORANGE	Input 1
BROWN	Input 2
YELLOW	Input 3
BLUE	Input 4
RED	5-14VDC +
BLACK	DC Ground
WHITE/BLACK	RELAY
WHITE/BROWN	RELAY

SPECIFICATIONS:

POWER REQUIREMENTS

5-14 VDC, Avg. 200 mA

INDICATORS

LED Tri-Color (Blue /Red /Green)
 Buzzer Host activated

INPUTS & OUTPUTS

Open Collector Rating 20 VDC @ 300 mA
 Solid State Relay 60V max – 1.0A AC/DC
 Inputs 1 – 4 Ground to Activate

ENVIRONMENT

Ambient Temperature -40° to +70°C (-40° to +158° F)
 Humidity 0 to 100% (non-condensing)

COMMUNICATIONS

RF 915 MHz
 RS-485 Host Driven Protocol
 Cable Distance 4,000 ft. total system
 Cable Type 2 twisted-pair, 22-24AWG
 or CAT-5

“Changes or modifications not expressly approved by the party responsible for compliance could void the user’s authority to operate the equipment”.

PARTS SUPPLIED:

Access Control Unit
 MOV
 Installation Instructions

Mounting Plate
 2, #6 Mounting Screws
 1, 4x40 Screw
 1, Security Screw
 1, Cable Assembly

ACCESSORIES (NOT INCLUDED):

RK-PS: 9VDC Plug-in Power Supply. It is designed to power the Reader. Requires 110 Volts AC power.
 SK-SR SecuRelay™ - Smart Relay Module DPDT. Requires Host Configuration.

INSTRUCTION TO THE USER FCC ID: NNHETXXX

“This device complies with Part 15 of the FCC rules. Operation is subject to the following two conditions: (1) this device may not cause harmful interference, and (2) this device must accept any interference received, including interference that may cause undesired operation.”

This equipment has been certified to comply with the limits for a class B computing device, pursuant to FCC Rules. In order to maintain compliance with FCC regulations, shielded cables must be used with this equipment. Operation with non-approved equipment or unshielded cables is likely to result in interference to radio and TV reception. The user is cautioned that changes and modifications made to the equipment without the approval of the manufacturer could void the user’s authority to operate this equipment.



3059349

RoHS

Securakey)))

www.SecuraKeyStore.com
 (800) 878-7829
 sales@SecuraKeyStore.com