

**Setup Instructions  
for Using the SK-MDM Modem  
Best Data, Model 56SPX  
with the Secura Key 28SA-Plus  
Access Control Unit and/or the  
SK-ACP Advanced Control Panel**

**Secura Key**  
A Division of SOUNDCRAFT Inc.

## Setup Instructions for Using the SK-MDM Modem with the Secura Key 28SA-Plus Access Control Unit and/or SK-ACP Advanced Control Panel

The SK-MDM Modem (Best Data Smart One 56SPX) has been selected by Secura Key for use with 28SA-Plus Access Control Unit and the SK-ACP at remote locations. The SK-MDM is connected directly to the RS232 port of a 28SA-Plus or an SK-ACP.

The 28SA-Plus and SK-ACP contain the configuration data or "setup string" for the SK-MDM, which allows the modem to be configured in the field by the reader without the use of a computer, and without setting DIP switches.

Note that the setup string stored in the 28SA-Plus and SK-ACP is only used for modems at remote locations. If you are using a SK-MDM at the PC location, use the setup information provided with the modem for installation with your PC.

### MODEM REAR PANEL CONNECTIONS - REMOTE SITE

|             |  |
|-------------|--|
| Line        | Connect to the phone line at the remote site ( <b>not</b> the RJ-11 Jack on the reader). |
| Phone       | Not required.  |
| Serial Port | Connect to 28SA-Plus or SK-ACP RS232 Port (see Manuals for wiring details).              |
| Power       | Connect the 9VAC plug-in transformer supplied with the unit.                             |

## SETTING UP THE BEST DATA 56SPX MODEM

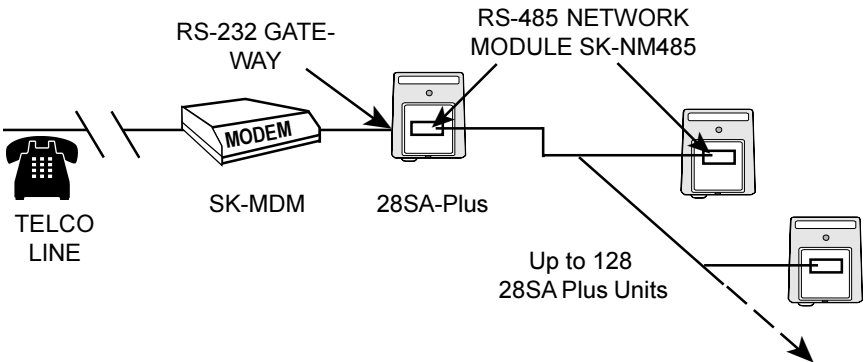
The order of these steps is critical, particularly when turning power on to the modem and reader or SK-ACP.

1. Remove power to the 28SA-Plus or SK-ACP
2. Connect cable from reader to modem
3. Turn power to the modem on
4. Turn on power to the 28SA-Plus or SK-ACP

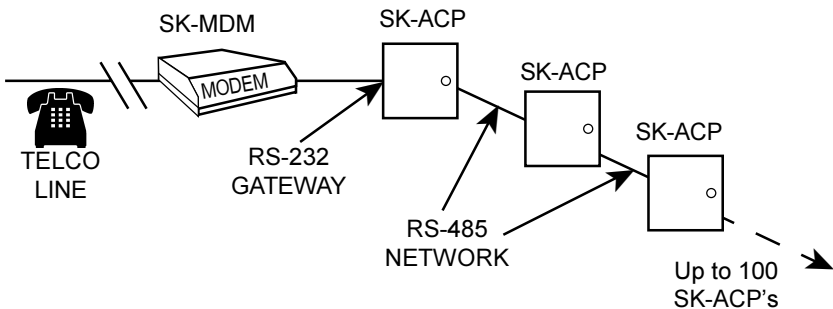
The modem is now set to “auto answer” and “dumb” mode. You can now connect to reader from the PC location. Verify that the TR, CD and AA lights are lighted (on) on the modem display.

**NOTE:** The default baud rate is 9600 baud. A 38,400 baud rate is recommended. You can change the baud rate of a 28SA-Plus using the PD-26 program deck, and the SK-ACP using SK-NET™ or a terminal program.

### REMOTE SITE MODEM CONFIGURATION with 28SA-PLUS



### REMOTE SITE MODEM CONFIGURATION WITH SK-ACP



## CABLE PINOUT

When using the Secura Key supplied cable, the following color code pinout will apply.

| PANEL / READER | WIRE COLOR | DB25 |
|----------------|------------|------|
| 1              | BLACK      | 7    |
| 2              | WHITE      | 3    |
| 3              | RED        | 8    |
| 4              | GREEN      | 4    |
| 5              | ORANGE     | 2    |

## ADDENDUM

| RS-232 PIN NUMBER CONNECTIONS   |           |                           |                       |                      |                     |                     |                    |
|---|-----------|---------------------------|-----------------------|----------------------|---------------------|---------------------|--------------------|
| SK-ACP / ENTRACOMP® 28SA-PLUS   |           |                           | PC OR TERMINAL        |                      | PRINTER             | MODEM               | MODEM              |
| SIGNAL DESCRIPTION  | SK-ACP J7 | 28-SA-PLUS TERMINAL BLOCK | DB-25S (FEMALE) PIN # | DB-9S (FEMALE) PIN # | DB-25P (MALE) PIN # | DB-25P (MALE) PIN # | DB-9P (MALE) PIN # |
| SIGNAL GROUND   | 1         | 1                         | 1 & 7                 | 5                    | 1 & 7               | 7                   | 5                  |
| RECEIVE DATA (RXD)  | 2         | 2                         | 2                     | 3                    | N/C *               | 3                   | 2                  |
| CLEAR TO SEND (CTS)   | 3         | 3                         | 4                     | 7                    | 20**                | 8                   | 1                  |
| REQUEST TO SEND (RTS)   | 4         | 4                         | 5                     | 8                    | N/C*                | 4                   | 7                  |
| TRANSMIT DATA (TXD)   | 5         | 5                         | 3                     | 2                    | 3                   | 2                   | 3                  |
| * FOR HARD-WIRED PRINTER MODE, CONNECT TERMINAL 2 TO TERMINAL 4 .<br>** PIN 20 OR PRINTER READY/BUSY. |           |                           |                       |                      |                     |                     |                    |

## SUPPORT

Contact Secura Key technical support for problems with the modem when used with the 28SA-Plus, SK-ACP or SK-NET™ software. Contact Best Data for general modem support issues, such as Internet access, PC compatibility, repairs, etc. Refer to the modem as the 56SPX in all correspondence with Best Data.

## WARRANTY

The 56SPX is warranted by Best Data Products. Please register your modem with Best Data Products, and contact Best Data regarding any warranty issues.

**Secura Key**  
 A Division of SOUNDCRAFT Inc.

20447 NORDHOFF STREET • CHATSWORTH, CA 91311

PHONE: (818) 882-0020 • FAX: (818) 882-7052

TOLL FREE: (800) 891-0020

E-mail: mail@securakey.com

Web site: www.securakey.com